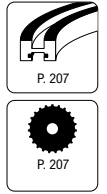
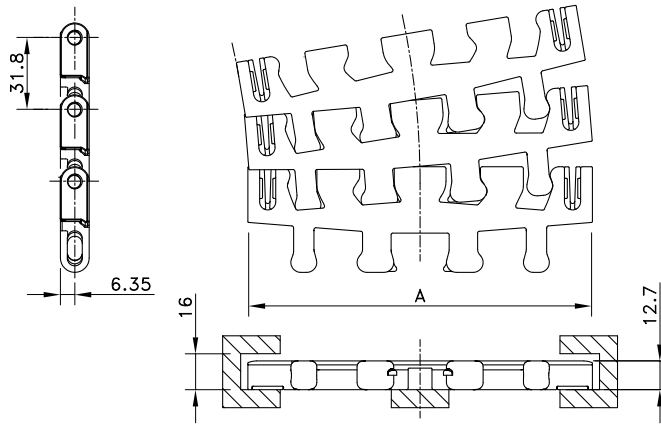
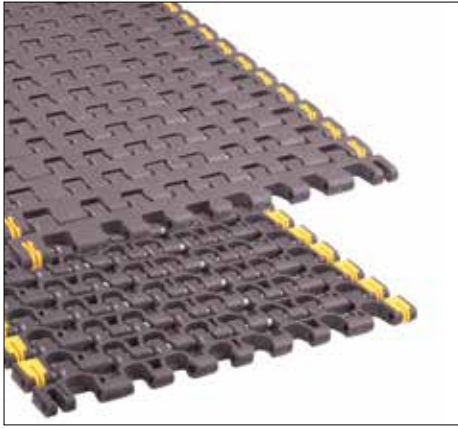


Radius 7956



Assembly	Belt Type	Code Number*	Width A	Sideflex Radius (min)	Temperature range °C		Working Load (max.)		Weight	Backflex Radius (min.)	
					Dry	Wet	Straight	In Curve			
			inch	inch			N/m (21°C)	N	kg/m ²	mm	
HP-Acetal with Polypropylene Pins											
Flat	HP 7956 NT-K6	81417101	6	12	-40 to + 80	-40 to +65	2000	2000	11.7	152	
	HP 7956 NT-K12	81429711	12	24			3560	3560			
	HP 7956 NT-K15	81427901	15	30			4000	4000			
	HP 7956 NT-K18	81427911	18	36			4225	4225			
	HP 7956 NT-K24	81428241	24	48			5300	5300			
	HP 7956 NT-K30	81428631	30	60			5780	5780			
Tabs Two Sides (Hold-Down)	HP 7956 TAB-K6	81417091	6	12	-40 to + 80	-40 to +65	2000	2000	11.7	152	
	HP 7956 TAB-K12	81429671	12	24			3560	3560			
	HP 7956 TAB-K15	81415631	15	30			4000	4000			
	HP 7956 TAB-K18	81421801	18	36			4225	4225			
	HP 7956 TAB-K24	81419711	24	48			5300	5300			
	HP 7956 TAB-K30	81427261	30	60			5780	5780			
Tabs Two Sides (GT)	HP7956 GT-K6	81436441	6	12	-40 to + 80	-40 to +65	2000	2000	11.7	152	
	HP7956 GT-K12	81436471	12	24			3560	3560			
	HP7956 GT-K15	81436501	15	30			4000	4000			
	HP7956 GT-K18	81436531	18	36			4225	4225			
	HP7956 GT-K24	81436561	24	48			5300	5300			
	HP7956 GT-K30	81436591	30	60			5780	5780			
Bearing (Every 2 nd Row)	HP7956 B-K6	CCW	81437471	6	12	-40 to + 80	-40 to +65	2000	2000	11.7	152
		CW	81437461								
		STURN	81437481								
	HP7956 B-K12	CCW	81437491	12	24						
		CW	81433641								
		STURN	81437501								
	HP7956 B-K15	CCW	81437521	15	30						
		CW	81437511								
		STURN	81437531								
	HP7956 B-K18	CCW	81433441	18	36						
		CW	81433691								
		STURN	81437541								
	HP7956 B-K24	CCW	81433611	24	48						
		CW	81437551								
		STURN	81437561								
	HP7956 B-K30	CCW	81437581	30	60						
		CW	81437571								
		STURN	81437591								