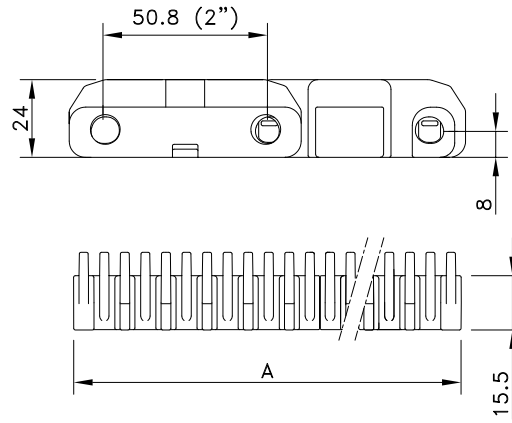
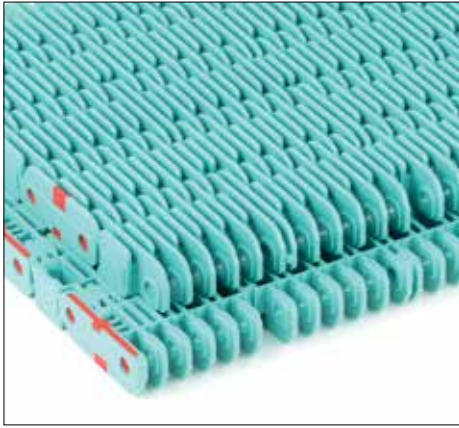


Raised Rib 2000 Heavy Duty

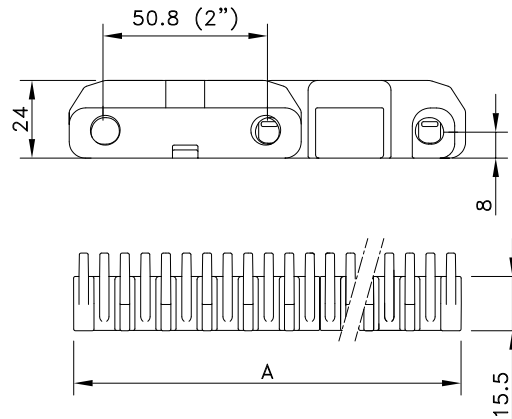


Assembly	Belt Type	Code Number*	Temperature range °C		Working Load (max.) N/m (21°C)	Weight kg/m ²	Backflex Radius (min.) mm
			Dry	Wet			
XP-Polypropylene with Polypropylene Pins							
Standard	RRHD 2000 XP	838.10.xx	4 to 104	4 to 104	29500	10.60	75
Positrack	RRHDP 2000 XP	838.90.xx					

* In code numbers xx corresponds with the belt width (A), starting with 10 for 3", 11 for 6" and so on in steps of 3". 2000 Belts with Positrack start with 12 for 9". See also page 208.

Chain assembly tool (chain tensioner) code 800.00.04.

Raised Rib 2000 Heavy Duty



Assembly	Belt Type	Code Number*	Temperature range °C		Working Load (max.) N/m (21°C)	Weight kg/m ²	Backflex Radius (min.) mm
			Dry	Wet			
USP-Polypropylene with Polypropylene Pins							
Standard	RRHD 2000 USP	881.60.xx	4 to 104	4 to 104	29500	11.20	75
Positrack	RRHDP 2000 USP	881.90.xx					

* In code numbers xx corresponds with the belt width (A), starting with 10 for 3", 11 for 6" and so on in steps of 3". 2000 Belts with Positrack start with 12 for 9". See also page 208.

Chain assembly tool (chain tensioner) code 800.00.04.